

NUMBER  
C-1775051



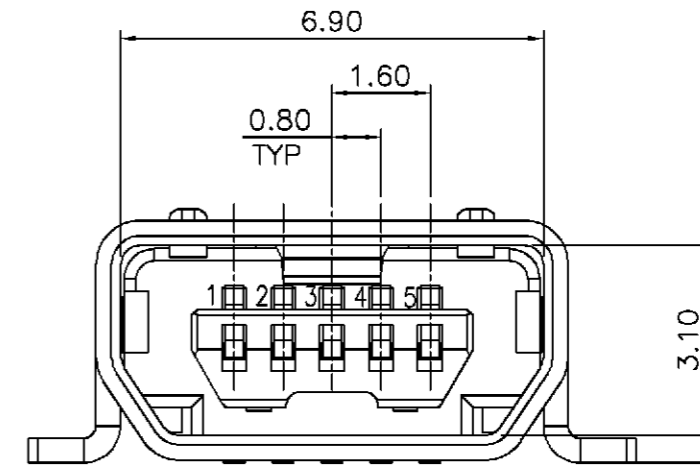
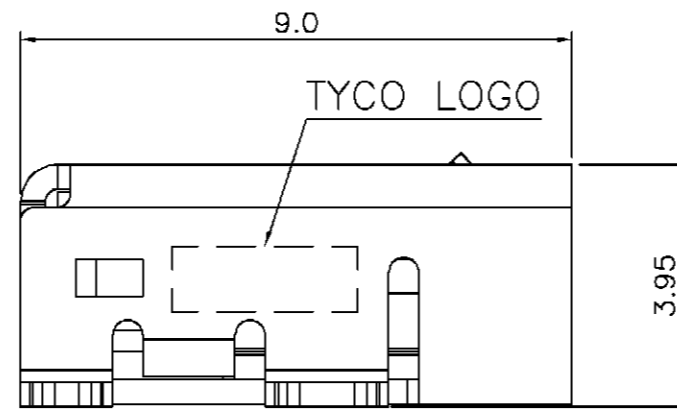
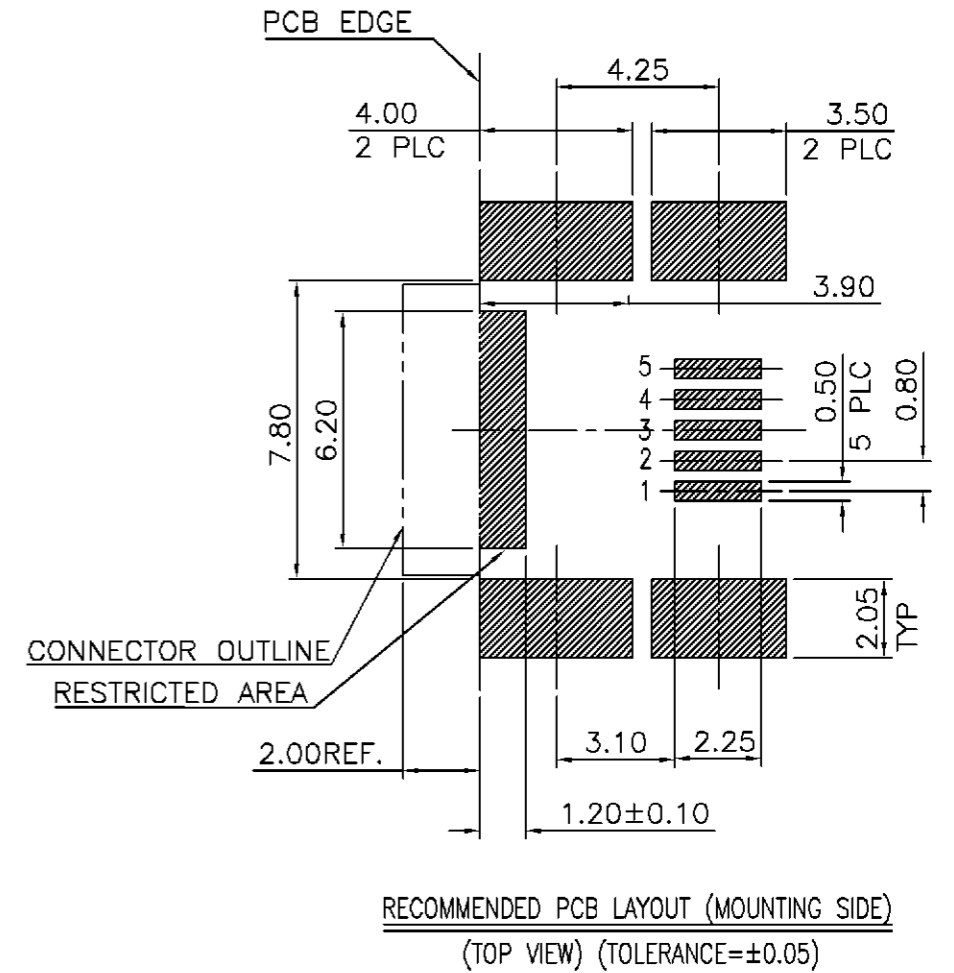
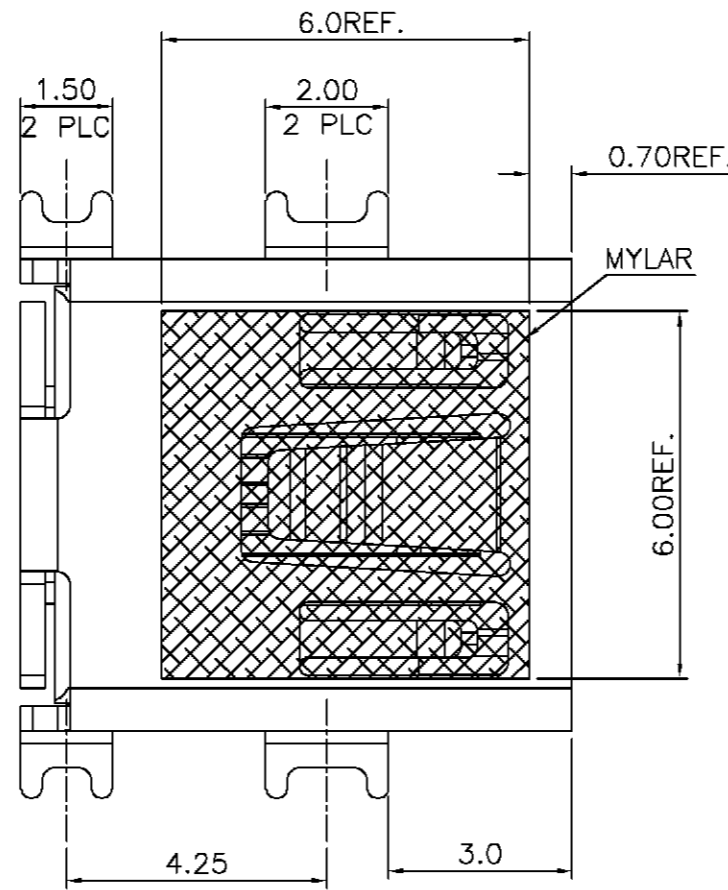
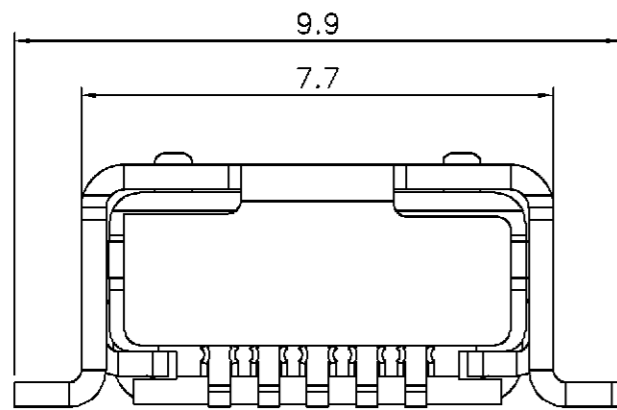
METRIC

THIS INFORMATION IS CONFIDENTIAL AND IS DISCLOSED TO YOU ON CONDITION THAT NO FURTHER DISCLOSURE IS MADE BY YOU TO OTHER THAN AMP PERSONNEL WITHOUT WRITTEN AUTHORIZATION FROM AMP (TAIWAN) LTD. DIMENSIONS IN MILLIMETERS. DO NOT SCALE PRINT.

PRINT  
DW

NOTE:

- MATERIAL:**  
HOUSING: THERMOPLASTIC HIGH TEMP., UL 94V-0 COLOR: GRAY.  
CONTACT: PHOSPHOR BRONZE, THICKNESS: 0.25mm.  
SHIELD: PHOSPHOR BRONZE, THICKNESS: 0.40mm.
- FINISH:**  
CONTACT: 30u" GOLD PLATING ON CONTACT AREA,  
100u" MIN TIN-Cu PLATED ON SOLDER TAILS  
50u" MIN NICKEL UNDERPLATED ALL OVER.  
SHIELD: 100u" MIN HALF-BRIGH TIN PLATED OVER 80u" MIN Cu UNDERPLATED ALL OVER.
- REFLOW SOLDER CAPABLE TO 260°C PER TYCO SPEC 109-201, CONDITION C.
- RoHS 2002/95/EC COMPLIANT
- CHOOSE PRE-FIX FROM LEFT TABLE AND SUFFIX FROM RIGHT TABLE FOR DESIRED PART NUMBER COMBINATION.



0.10  
ALL SOLDERTAILS & MOUNT PEGS

1775051-1  
PART NUMBER

TOLERANCES UNLESS OTHERWISE SPECIFIED: 0 PLC ±0.50 1 PLC ±0.38 2 PLC ±0.25 3 PLC ±0.10 ANGLES ±3'		DWN O. HU 10-MAR-2005	TYCO HOLDINGS (BERMUDA) VII LTD. TAIWAN BRANCH	
MATERIAL SEE NOTE		CHK S. HOU 10-MAR-2005	NAME	
FINISH SEE NOTE		APVD W.J. KE 10-MAR-2005	MINI USB CONN., RCPT, 5 POS, SMT, AB TYPE	
QUALIFICATION TEST REPORT 501-57637		LOC DW	SIZE A <sub>3</sub>	DRAWING NO C-1775051
WEIGHT 10.5 gram		SCALE --	REV O	
		SHEET 1 OF 2		

O	FIRST RELEASED	FZ00-0042-05	OH SH	11MAR 2005
LTR	REVISION RECORD	ECN	DWN CHK	DATE

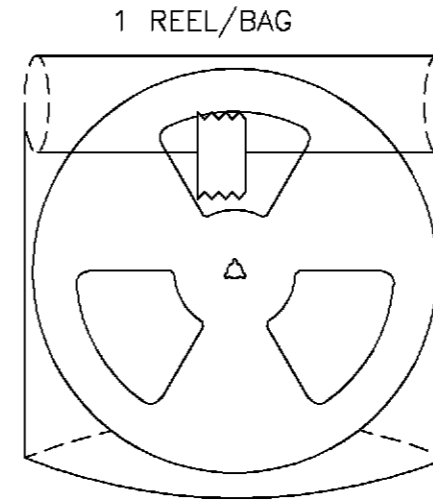
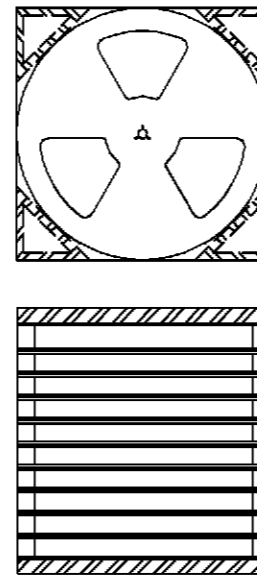
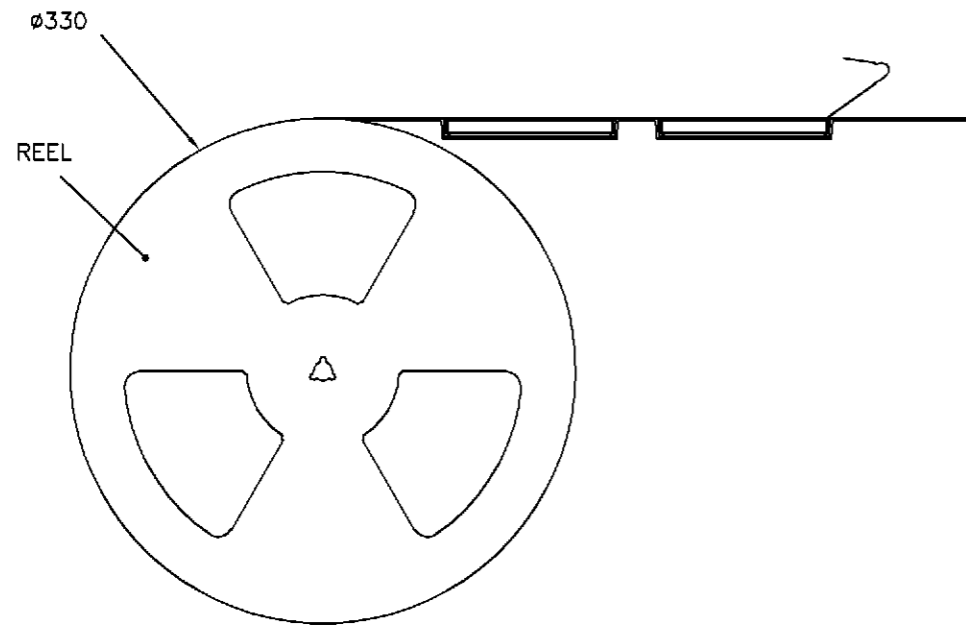
NUMBER  
C-1775051

METRIC  
3RD ANGLE PROJECTION

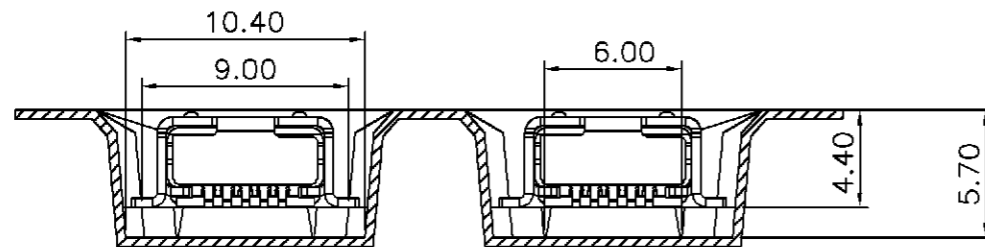
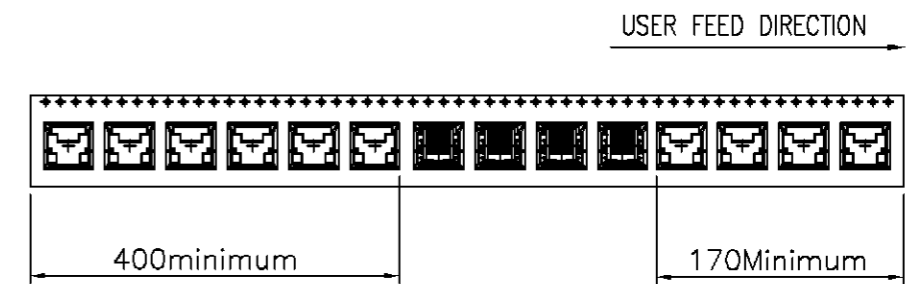
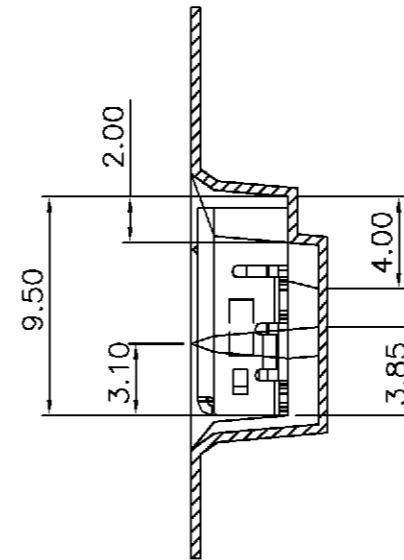
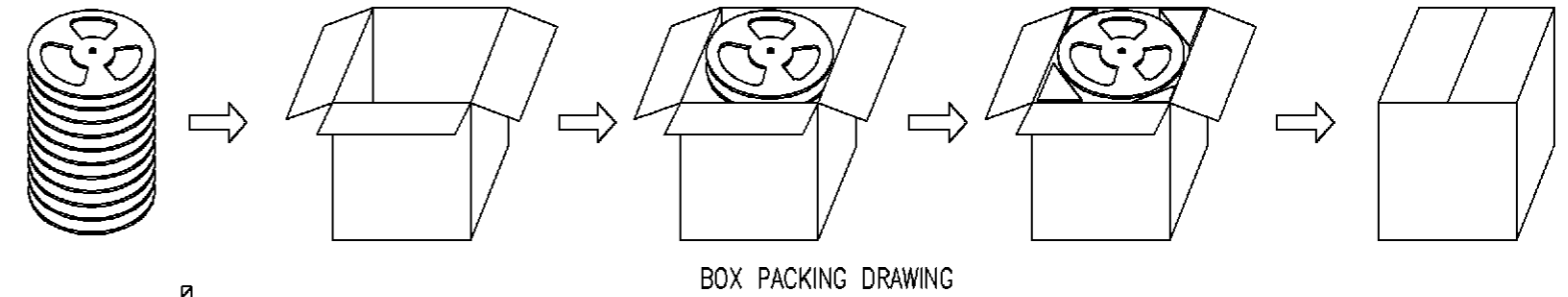
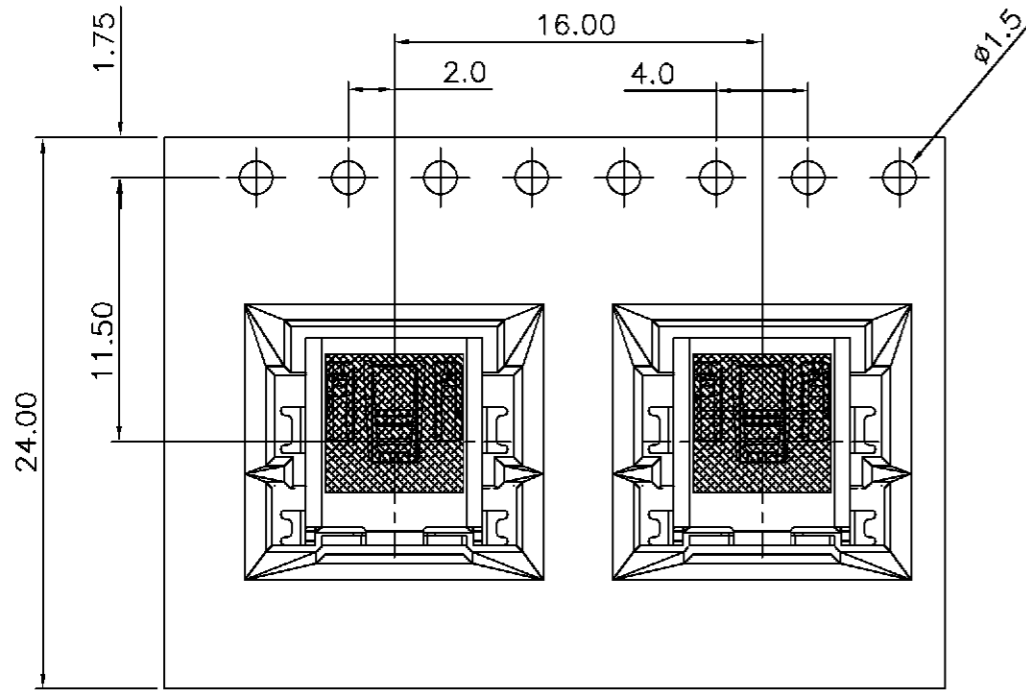
METRIC

THIS INFORMATION IS CONFIDENTIAL AND IS DISCLOSED TO YOU ON CONDITION THAT NO FURTHER DISCLOSURE IS MADE BY YOU TO OTHER THAN AMP PERSONNEL WITHOUT WRITTEN AUTHORIZATION FROM AMP (TAIWAN) LTD. DIMENSION IN MILLIMETERS. DO NOT SCALE PRINT.

PRINT  
DW



- NOTES :
- MATERIAL :
    - EMBOSSED CARRIER: PS
    - COVER TAPE: PET
    - SHIPPING CARTON: CORRUGATED FIBER.
  - DIMENSION :
    - REEL: W=24 , $\phi$ A=330
    - SHIPPING CARTON: L=349.2,W=147.6, H=156.
  - QUANTITY :
    - PRIMARY PACKING: 700PCS/REEL.
    - SECONDARY PACKING: 10REEL/ CARTON(7000PCS).
  - WEIGHT :
    - NET WEIGHT: 11.5kg/CARTON.
    - GROSS WEIGHT: 10.5kg/CARTON.
  - PEELING RESISTANCE: 10g~130g.
  - PELLING SPEED: 300mm/minutes.



TOLERANCES UNLESS OTHERWISE SPECIFIED:		DWN	O. HU	<b>tyco</b> TYCO HOLDINGS (BERMUDA) VII LTD. TAIWAN BRANCH
0 PLC	±		10-MAR-2005	
1 PLC	±	CHK	S. HOU	NAME
2 PLC	±		10-MAR-2005	
3 PLC	±		W.J. KE	MINI USB CONN., RCPT, 5 POS, SMT, AB TYPE
ANGLES	±		10-MAR-2005	
MATERIAL	-	APVD		LOC SIZE DRAWING NO REV DW <b>A</b> <sub>3</sub> C-1775051 O
FINISH	-	PRODUCT SPEC		
		APPLICATION SPEC		SCALE SHEET -- 2 OF 2
		WEIGHT		

SEE SHEET 1.	ECN	DWN	CHK	DATE
LTR	REVISION RECORD			